

HAYMAN REESE
PART No: 03188RW
MAZDA CX-9 TC CL4

INSTALLATION INSTRUCTIONS

PLEASE ENSURE THAT INSTRUCTIONS ARE UNDERSTOOD PRIOR TO FITMENT
PLACE THESE INSTRUCTIONS IN THE VEHICLE'S GLOVEBOX AFTER INSTALLATION IS COMPLETED



Installation Time: 110 Mins

Towbar Installation Instructions

Towbar capacity

MAZDA CX-9 TC CL4

Part Number **03188RW**

Max Towing Braked 2000kg

Max Towing Unbraked 750kg

Max Static Ball Load 100kg

Tail Harness Length Required: 1800mm

RPA Disable Harness: 04944

Hayman Reese (Cequent)
PO Box 4050, Dandenong South VIC 3164
Phone 1800 812 017 Email info@haymanreese.com.au

www.haymanreese.com.au



HAYMAN REESE
PART No: 03188RW
MAZDA CX-9 TC CL4

INSTALLATION INSTRUCTIONS

PLEASE ENSURE THAT INSTRUCTIONS ARE UNDERSTOOD PRIOR TO FITMENT
PLACE THESE INSTRUCTIONS IN THE VEHICLE'S GLOVEBOX AFTER INSTALLATION IS COMPLETED

Warning:

1. Do not, drill, cut, weld or otherwise modify the towbar.
2. If you are using electric welding on a motor vehicle, **always** check that the vehicle is not equipped with electronic engine or instrument management equipment. Failure to do so could **destroy** any on board computers. If in doubt, check with the vehicle's manufacturer.
3. If TBM is used in inverted position tow ball may make contact with rear tailgate when lowered, which could cause damage.

General:

1. Ensure all hardware items have been included refer to assembly diagram.
2. It is recommended that the instructions are read through and completely understood before making any attempt to fit this product.
3. Be wary of any changes to vehicle designs or other accessories that may conflict with the installation of this product.
4. Before drilling ensure that the area is clear of fuel, electrical & other components.
5. All holes drilled into the body panels shall have all burrs & swarf removed then coated with a suitable rust preventative paint.
6. The high tensile fasteners supplied with this product were used to achieve the specified rating. If replacement is required ensure that fasteners of the same rating & quality are used. Contact an authorised **Hayman Reese** dealer if further information is required.
7. Ensure that all hardware is fastened to torque list below check fasteners on regular basis.
8. Towbar load rating sticker provided with this product shall be conspicuously located on inside rear end of the driver's door. **(See diagram below).**
9. Hayman Reese recommends that you check your tow ball to ensure that it complies with the Australian standards **AS 4177.2**.
10. **PLEASE NOTE:** It is advised to remove your LUG or TBM when not actually towing so as to produce a clear view of the vehicles registration plate if obscured, and to also provide maximum available departure angle.

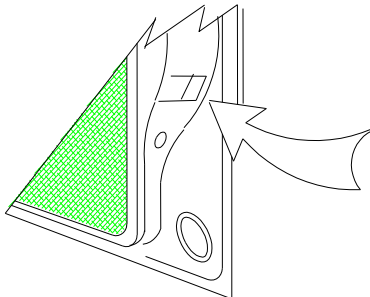
Tow bar Maintenance and Care.

Hayman Reese recommends that bolt torque's, as listed below, are routinely and regularly inspected and checked for correct tension. Replace any worn or defective parts.

We recommended to remove Tow Ball Mounts (TBM's, tongues or lugs) when not being used for any considerable length of time.

So as to avoid injury, when not towing it is suggested that the tongue, Pull Pin and R-clip are removed then stored in a safe, clean and dry place, away from excessive moisture.

Hitch Pull Pins and spring "R" clips are regularly checked for proper installation. Replace any worn or defective parts.



Place load rating sticker
inside driver's door here

FOR TOWING PURPOSES ONLY
For towing capacity details please refer to vehicle
owner's manual or to the manufacturer. Overloading can
void your warranties.

Hayman Reese (Cequent)
PO Box 4050, Dandenong South VIC 3164
Phone 1800 812 017 Email info@haymanreese.com.au

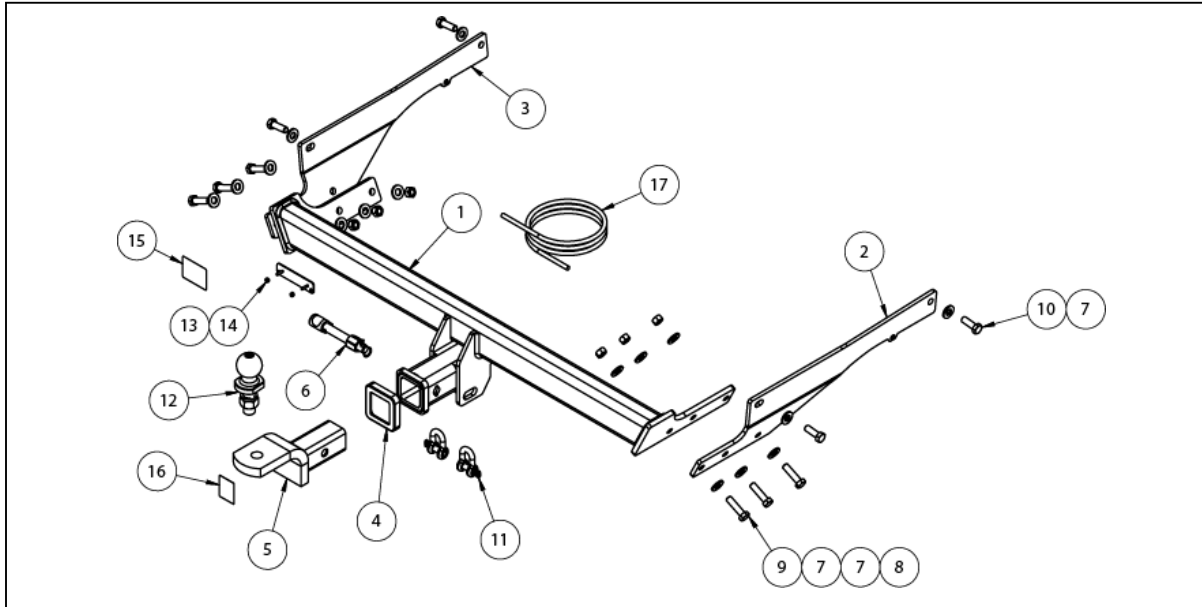
www.haymanreese.com.au



HAYMAN REESE
PART No: 03188RW
MAZDA CX-9 TC CL4

INSTALLATION INSTRUCTIONS

PLEASE ENSURE THAT INSTRUCTIONS ARE UNDERSTOOD PRIOR TO FITMENT
 PLACE THESE INSTRUCTIONS IN THE VEHICLE'S GLOVEBOX AFTER INSTALLATION IS COMPLETED



ITEM NO.	DESCRIPTION	QTY.
1	MAZDA CX-9 TUBE ASSY	1
2	SIDE ARM RH	1
3	SIDE ARM LH	1
4	HITCH BOX COLLAR COVER	1
5	TRAILER BALL MOUNT	1
6	ANTI-RATTLE PULL PIN ASSY GOLD	1
7	WASHER FLAT 1/2"x1 1/8"x1/8"	16
8	HEX NUT PC8 M12x1.25	6
9	SET SCREW M12x45x1.25P	6
10	BOLT M12-1.25x35	4
11	"D" SHACKLE 10MM	2
12	HR TOWBALL	1
13	PLUG BRACKET	1
14	NUT NYLOC M4-0.7 Z/P	2
15	ACRYLIC COMPLIANCE LABEL	1
16	H.R STICKER	1
17	WIRING LOOM	1

Hayman Reese (Cequent)
 PO Box 4050, Dandenong South VIC 3164
 Phone 1800 812 017 Email info@haymanreese.com.au

www.haymanreese.com.au

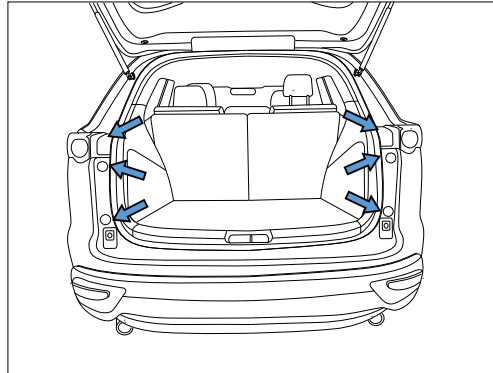


HAYMAN REESE
PART No: 03188RW
MAZDA CX-9 TC CL4

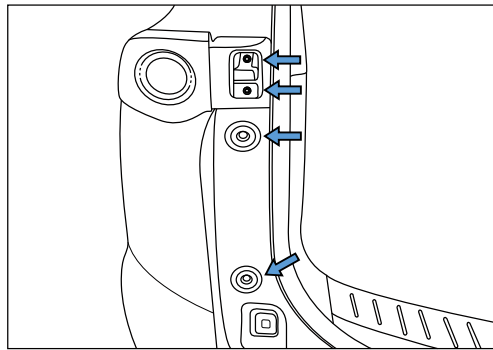
INSTALLATION INSTRUCTIONS

PLEASE ENSURE THAT INSTRUCTIONS ARE UNDERSTOOD PRIOR TO FITMENT
PLACE THESE INSTRUCTIONS IN THE VEHICLE'S GLOVEBOX AFTER INSTALLATION IS COMPLETED

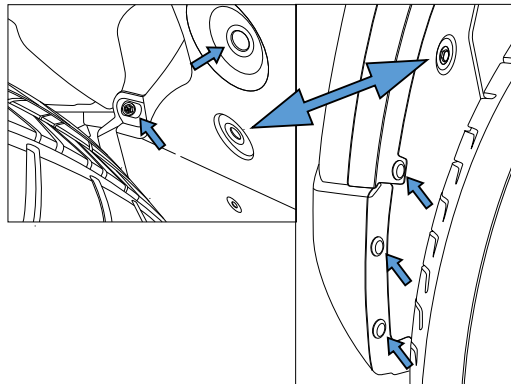
1. Open rear door to expose the screw covers for the lights and the bumper.
2. Remove the covers (3 x LH and 3 x RH)



3. On LH side, remove 2 x screws securing the rear lights.
 4. Remove the 2 x screws securing the bumper.
- Repeat for the other side.



5. In LH wheel arch remove 3 x scrivets, 2 x screws and 1 x plastic nut securing the bumper and plastic protector.
- Repeat for the other side.



Hayman Reese (Cequent)
PO Box 4050, Dandenong South VIC 3164
Phone 1800 812 017 Email info@haymanreese.com.au

www.haymanreese.com.au

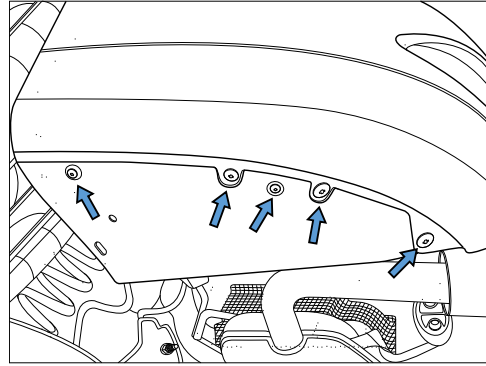


HAYMAN REESE
PART No: 03188RW
MAZDA CX-9 TC CL4

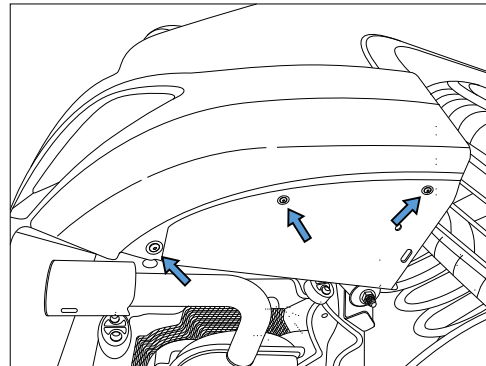
INSTALLATION INSTRUCTIONS

PLEASE ENSURE THAT INSTRUCTIONS ARE UNDERSTOOD PRIOR TO FITMENT
PLACE THESE INSTRUCTIONS IN THE VEHICLE'S GLOVEBOX AFTER INSTALLATION IS COMPLETED

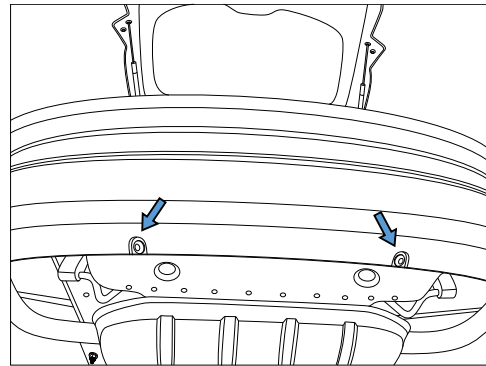
6. On LHS under bumper remove 4 x screws and 1 x scrivet.



7. On RHS under bumper remove 2 x screws and 1 x scrivets securing the plastic protector.



8. Under vehicle remove the 2 x scrivets securing the bumper.



Hayman Reese (Cequent)
PO Box 4050, Dandenong South VIC 3164
Phone 1800 812 017 Email info@haymanreese.com.au

www.haymanreese.com.au



HAYMAN REESE
PART No: 03188RW
MAZDA CX-9 TC CL4

INSTALLATION INSTRUCTIONS

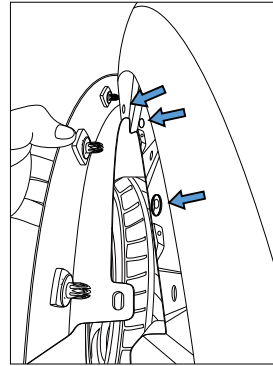
PLEASE ENSURE THAT INSTRUCTIONS ARE UNDERSTOOD PRIOR TO FITMENT
PLACE THESE INSTRUCTIONS IN THE VEHICLE'S GLOVEBOX AFTER INSTALLATION IS COMPLETED

9. Carefully release wheel trim garnish (4 x panel clips) to expose 2 x scrivets and 1 x screw securing bumper.

Be careful not to crease the trim garnish during this process.

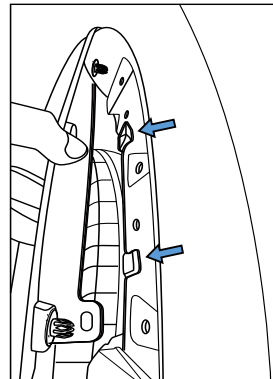
10. Remove the 2 x scrivets and 1 x screw.

Repeat for the other side.



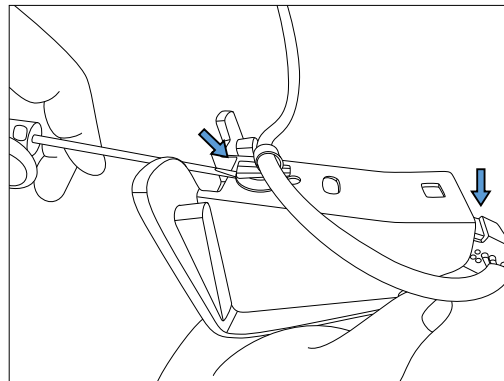
11. On LHS remove the plastic protector by unclipping the 2 x clips located on the bumper.

Repeat for the other side.



12. Carefully peel away from the sides of the vehicle and remove the bumper. There is a small clip on the bumper in the light cavity that must be released.

Note: There is a wiring harness fitted to a plastic bracket on the LH side inside the bumper. Disconnect the plug and remove the clip from the bracket.



Hayman Reese (Cequent)
PO Box 4050, Dandenong South VIC 3164
Phone 1800 812 017 Email info@haymanreese.com.au

www.haymanreese.com.au

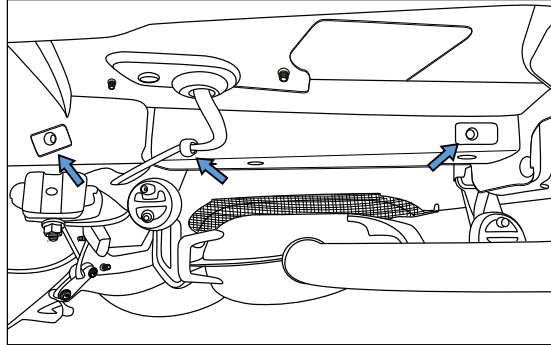


HAYMAN REESE
PART No: 03188RW
MAZDA CX-9 TC CL4

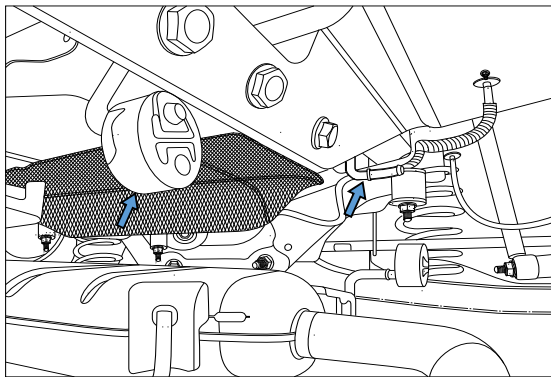
INSTALLATION INSTRUCTIONS

PLEASE ENSURE THAT INSTRUCTIONS ARE UNDERSTOOD PRIOR TO FITMENT
PLACE THESE INSTRUCTIONS IN THE VEHICLE'S GLOVEBOX AFTER INSTALLATION IS COMPLETED

13. On LH side chassis frame, remove the wiring harness clip from the chassis.
 14. Remove the tape to expose the 2 x towbar mounting hole positions.
 15. Clean the chassis frame side of excessive sealant using a scraper.
- Repeat for the other side.

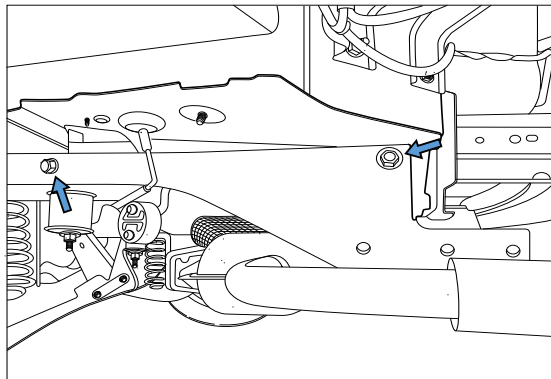


16. Drop the exhaust by removing the 4 x hanger bracket rubbers (2 x LH and 2 x RH side).
Support the exhaust with a strap.



17. Loosely secure the LH side arm to the LH chassis rail with 2 x M12 x 1.25 x 35 complete with 1 x washer.
Attach the harness to the LH side arm lug with a cable tie (not supplied).

Repeat for the other side.



Hayman Reese (Cequent)
PO Box 4050, Dandenong South VIC 3164
Phone 1800 812 017 Email info@haymanreese.com.au

www.haymanreese.com.au



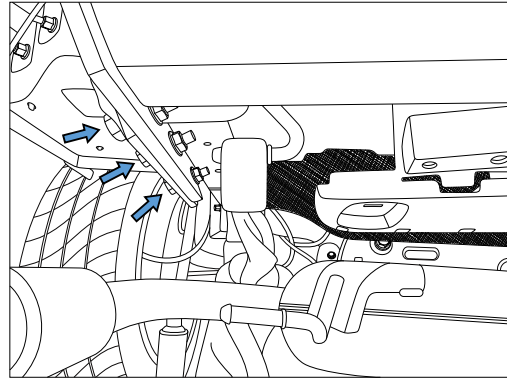
HAYMAN REESE
PART No: 03188RW
MAZDA CX-9 TC CL4

INSTALLATION INSTRUCTIONS

PLEASE ENSURE THAT INSTRUCTIONS ARE UNDERSTOOD PRIOR TO FITMENT
PLACE THESE INSTRUCTIONS IN THE VEHICLE'S GLOVEBOX AFTER INSTALLATION IS COMPLETED

18. Fit the crosstube to the side arm and loosely secure with 3 x M12 x1.25 x 70 bolts complete with 2 x washers and 1 x nut per bolt.

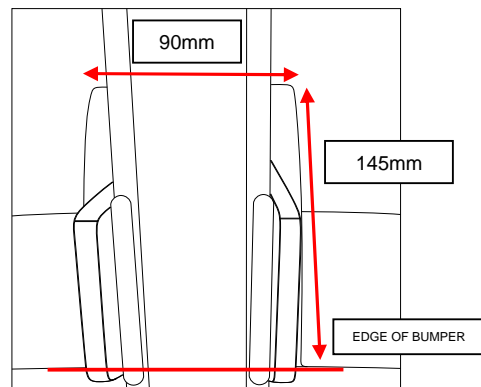
Repeat for the other side.



19. Torque the bolts starting with the side arms to the chassis rail (LH and RH sides) followed by the side arms to the crosstube (LH and RH sides).

BOLT TORQUE: 125Nm

20. On the outside underside of the bumper, locate the bumper centre line, mark out and cut the bumper cut 145mm long (from the bottom edge, following the curve of the bumper) x 90mm wide as depicted.



Hayman Reese (Cequent)
PO Box 4050, Dandenong South VIC 3164
Phone 1800 812 017 Email info@haymanreese.com.au

www.haymanreese.com.au

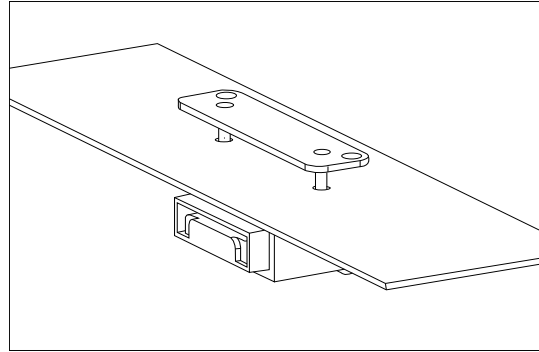


HAYMAN REESE
PART No: 03188RW
MAZDA CX-9 TC CL4

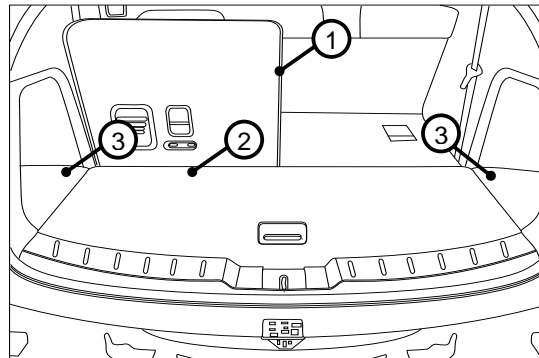
INSTALLATION INSTRUCTIONS

PLEASE ENSURE THAT INSTRUCTIONS ARE UNDERSTOOD PRIOR TO FITMENT
PLACE THESE INSTRUCTIONS IN THE VEHICLE'S GLOVEBOX AFTER INSTALLATION IS COMPLETED

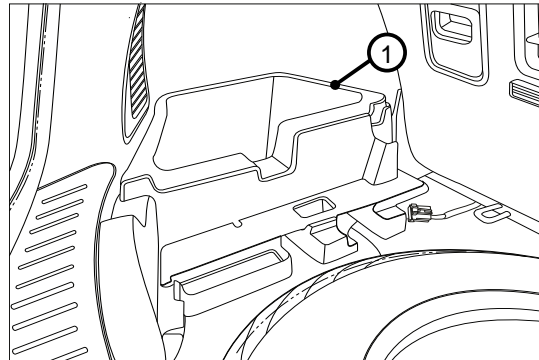
21. Determine an appropriate position for the plug bracket. Mark out and drill 2x \varnothing 5mm holes 69mm apart on bumper skin to support plug bracket. Feed bracket threads through drilled holes prior to reinstalling bumper.



22. In the luggage compartment, fold down the rear seats (1).
23. Remove the floor mat (2) and the LHS and RHS floor carpet covers (3).



24. Unclip and remove the LHS and RHS storage trays (1) (RHS not shown).



Hayman Reese (Cequent)
PO Box 4050, Dandenong South VIC 3164
Phone 1800 812 017 Email info@haymanreese.com.au

www.haymanreese.com.au

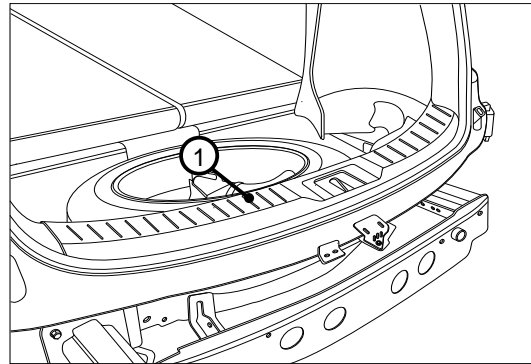


HAYMAN REESE
PART No: 03188RW
MAZDA CX-9 TC CL4

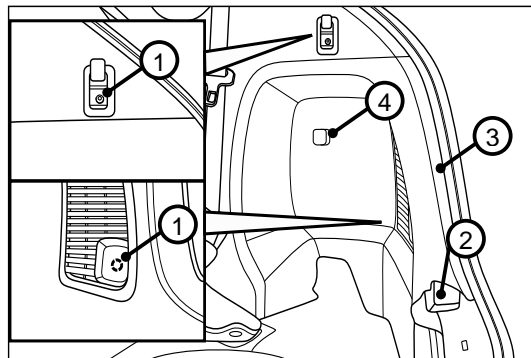
INSTALLATION INSTRUCTIONS

PLEASE ENSURE THAT INSTRUCTIONS ARE UNDERSTOOD PRIOR TO FITMENT
PLACE THESE INSTRUCTIONS IN THE VEHICLE'S GLOVEBOX AFTER INSTALLATION IS COMPLETED

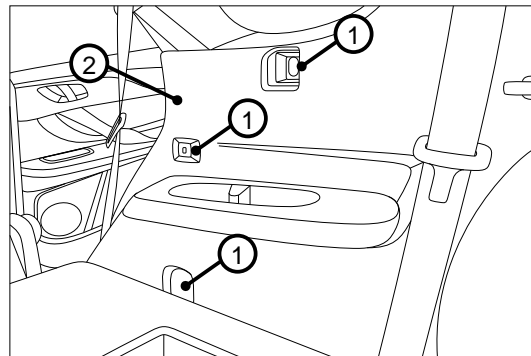
25. Remove the luggage compartment rear trim (1).



26. Remove the RHS luggage compartment fasteners (1) from underneath the luggage holder clips.
27. Remove the luggage compartment clip (2).
28. Dislodge the RHS luggage compartment trim (3) and disconnect the 12V socket (4) from the inside.



29. Remove the three fasteners (1) from underneath the luggage trim caps and luggage trim clip.
30. Carefully remove the RHS luggage compartment trim (2).



Hayman Reese (Cequent)
PO Box 4050, Dandenong South VIC 3164
Phone 1800 812 017 Email info@haymanreese.com.au

www.haymanreese.com.au

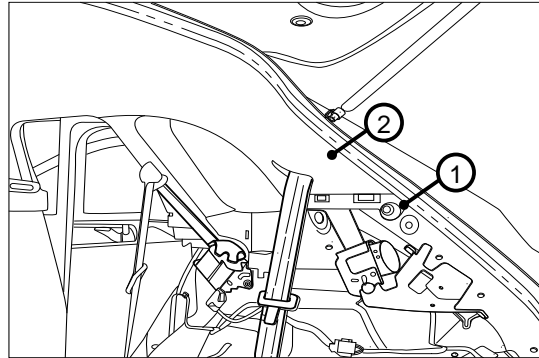


HAYMAN REESE
PART No: 03188RW
MAZDA CX-9 TC CL4

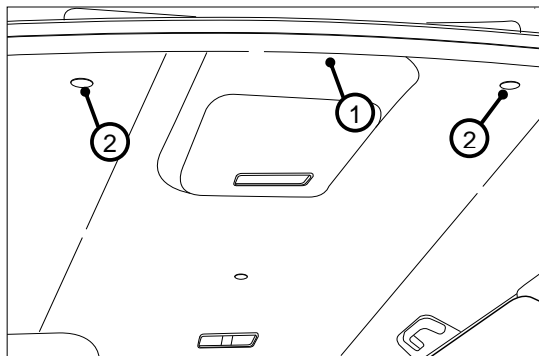
INSTALLATION INSTRUCTIONS

PLEASE ENSURE THAT INSTRUCTIONS ARE UNDERSTOOD PRIOR TO FITMENT
PLACE THESE INSTRUCTIONS IN THE VEHICLE'S GLOVEBOX AFTER INSTALLATION IS COMPLETED

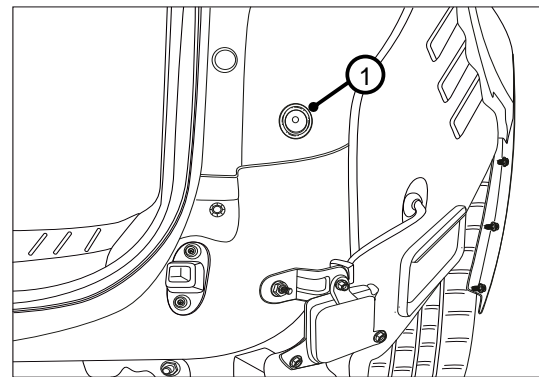
31. Remove the clip (1) from the upper RHS 'D' pillar trim (2) and then remove the trim (2).



32. Dislodge the roof lining (1) by removing the two clips (2).



33. Remove the exterior rear RHS grommet (1) sitting lower down from the tail light.



Hayman Reese (Cequent)
PO Box 4050, Dandenong South VIC 3164
Phone 1800 812 017 Email info@haymanreese.com.au

www.haymanreese.com.au

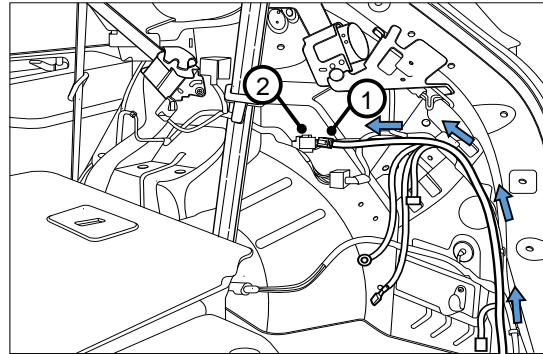


HAYMAN REESE
PART No: 03188RW
MAZDA CX-9 TC CL4

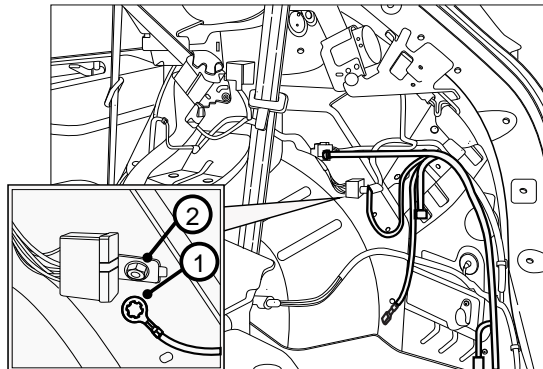
INSTALLATION INSTRUCTIONS

PLEASE ENSURE THAT INSTRUCTIONS ARE UNDERSTOOD PRIOR TO FITMENT
PLACE THESE INSTRUCTIONS IN THE VEHICLE'S GLOVEBOX AFTER INSTALLATION IS COMPLETED

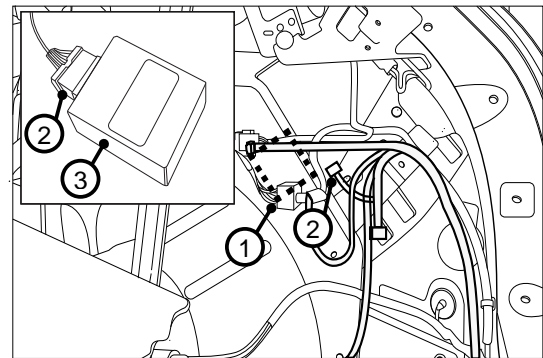
34. Route the trailer patch harness (P/No: 201497-WL) break-out connector (1) to the vehicle mating break-out connector (2).



35. Locate the ground point on the RHS wheel arch area. Secure the trailer patch ground ring terminal (1) to the vehicle grounding point (2) using the existing vehicle fastener.



36. Using an alcohol wipe (not supplied), clean the sheet metal inner skin exterior side (1) located behind the break out connector and grounding point area. This is where the ECU will be mounted.
37. Connect the trailer patch connector (2) to the ECU (P/No: 04826) (3). Remove the backing from the back of the ECU and mount the ECU (3) onto the sheet metal area (1). **Ensure ECU is mounted with the connector pointing downwards.**



Hayman Reese (Cequent)
PO Box 4050, Dandenong South VIC 3164
Phone 1800 812 017 Email info@haymanreese.com.au

www.haymanreese.com.au

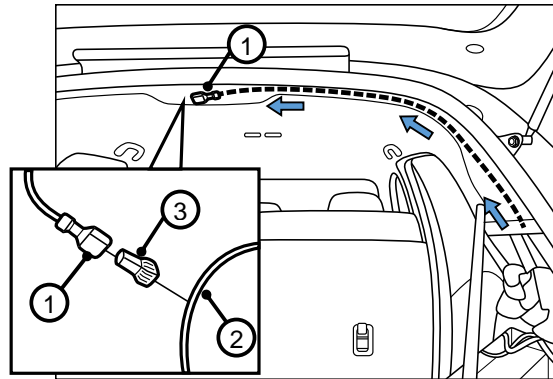


HAYMAN REESE
PART No: 03188RW
MAZDA CX-9 TC CL4

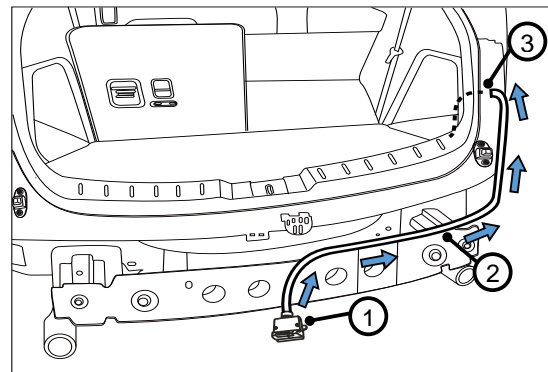
INSTALLATION INSTRUCTIONS

PLEASE ENSURE THAT INSTRUCTIONS ARE UNDERSTOOD PRIOR TO FITMENT
PLACE THESE INSTRUCTIONS IN THE VEHICLE'S GLOVEBOX AFTER INSTALLATION IS COMPLETED

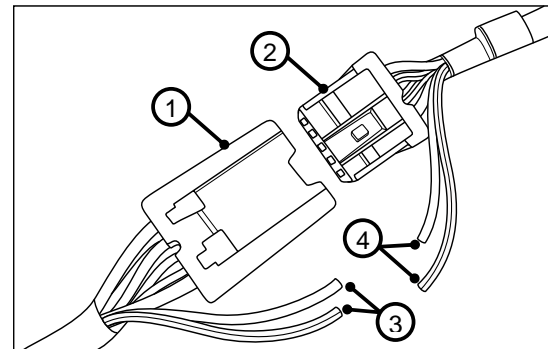
38. Appropriately route the trailer patch terminal branch (1) up along the 'D' pillar and into the head lining.
39. Locate the vehicle harness connectors in the roof lining (not shown).
40. Using a multi-meter, locate the reverse wire signal (2) from the vehicle connector.
41. Connect the ezy-tap (3) to the located vehicle wire signal (4), then connect the trailer patch terminal (1) to the ezy-tap (2).



42. At the rear exterior of the vehicle, mount the tail harness socket (1) to the towbar mounting bracket using M4 fasteners (not supplied).
43. Route the tail harness (tail length: 1800mm) (2) across the RHS and up into the exposed grommet hole (3). Adjust the trailer patch harness grommet so that it is seated correctly and cable tie (not supplied) in place.



44. Connect the tail harness 8-way connector (1) to the trailer patch 8-way mating connector (2).
45. To enable RPA cut-off, crimp the tail harness GREY and GREY/BLACK wires (3) to the trailer patch matching GREY and GREY/BLACK wires (4).



Hayman Reese (Cequent)
PO Box 4050, Dandenong South VIC 3164
Phone 1800 812 017 Email info@haymanreese.com.au

www.haymanreese.com.au



HAYMAN REESE
PART No: 03188RW
MAZDA CX-9 TC CL4

INSTALLATION INSTRUCTIONS

PLEASE ENSURE THAT INSTRUCTIONS ARE UNDERSTOOD PRIOR TO FITMENT
PLACE THESE INSTRUCTIONS IN THE VEHICLE'S GLOVEBOX AFTER INSTALLATION IS COMPLETED

46. Test the trailer patch function using a light board or multi-meter.
 47. Secure all harnesses using cable ties (not supplied).
 48. Re-fit all removed parts and secure all fasteners, ensuring there are no squeaks or rattles.
Place the fitting instructions in the glove box after fitment.
-
49. Refit the bumper and other components following steps 12 to 1.
 50. Apply the load rating label to the door (see page 2) and place the fitting instructions in the glove box on completion.

Hayman Reese (Cequent)
PO Box 4050, Dandenong South VIC 3164
Phone 1800 812 017 Email info@haymanreese.com.au

www.haymanreese.com.au





FITTING INSTRUCTIONS

Smart Pin (55070BL)

• These fitting instructions are supplied to ensure understanding of how the SMART PIN should be fitted and used correctly.

• Once installed, we recommend **ALL** instructions are kept and placed in the vehicle glove box.

NOTE: Routine maintenance and inspection of the towbar & SMART PIN is required. Regularly inspect for wear and check the tightness of the SMART PIN NUT. Follow instructions below to retighten the nut when necessary.

***Do not tow with your vehicle if the R CLIP or the SMART PIN NUT is loose or missing. Replacement parts are available from your Hayman Reese Distributor.**

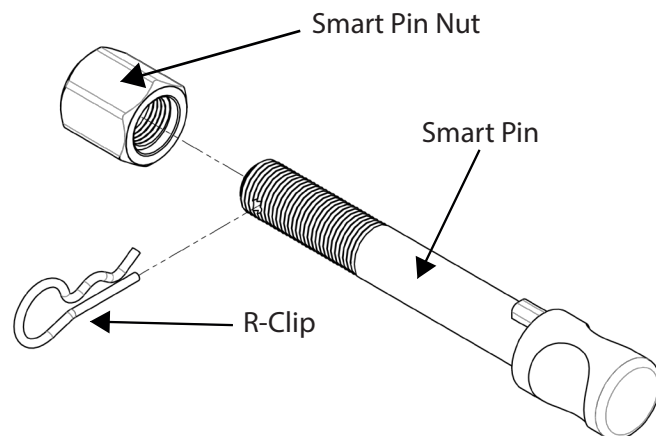
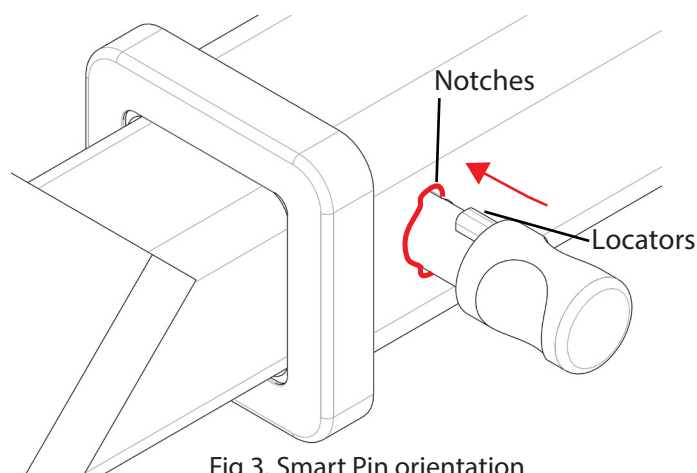
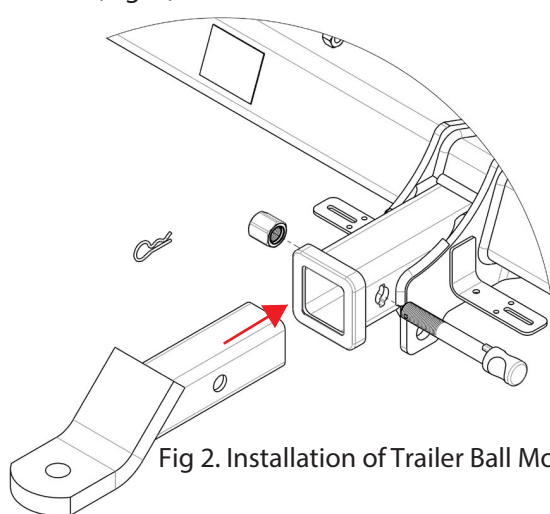


Fig 1. Smart Pin assembly

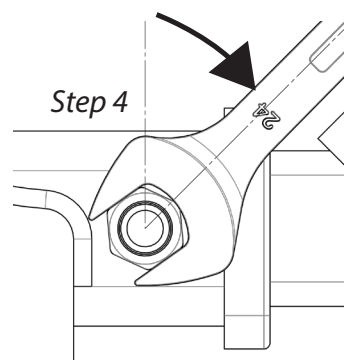
STEP 1 Insert Trailer Ball Mount (TBM) into towbar HITCHBOX, aligning hole in TBM SHANK with hole in HITCHBOX (Fig. 2).



STEP 2 Insert SMART PIN through hole in HITCHBOX and hole in TBM SHANK; ensure the LOCATORS are inserted into the NOTCHES in the HITCHBOX (Fig. 3).

STEP 3 Screw SMART PIN NUT onto SMART PIN; tighten SMART PIN NUT until finger tight, ensuring TBM is restrained from movement.

STEP 4 Tighten SMART PIN NUT by turning nut a further 1/8th of a turn in the clockwise direction using a 24mm spanner (Fig 4).



STEP 5 Install SMART PIN R CLIP through the hole on the SMART PIN (Fig. 1).

