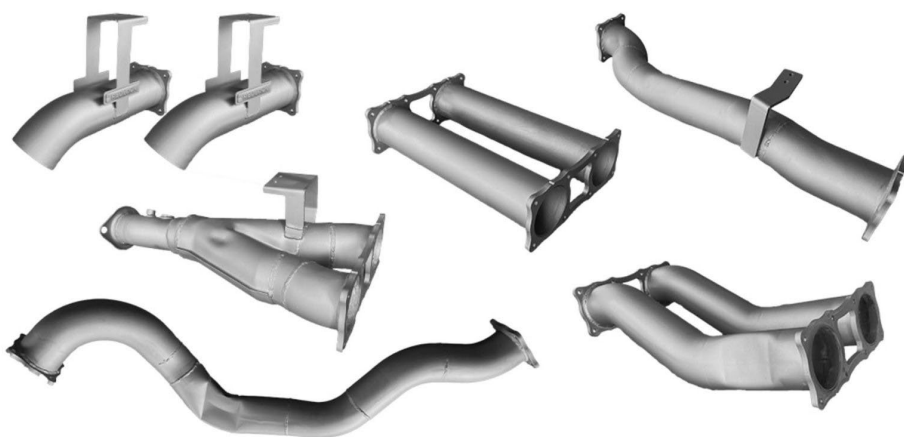


REDBACK

FITTING INSTRUCTIONS

TLX441740-PB

REDBACK EXTREME DUTY TWIN 4" EXHAUST FOR TOYOTA LANDCRUISER 79 SERIES DUAL CAB



IN THIS GUIDE Good To Know / Fitting Instructions / Warranty Info
SPECIFICATIONS 4" Twin DPF Back Exhaust

FITTING INSTRUCTIONS

BEFORE YOU START

- Ensure the vehicle has cooled down before any work commences.
- Use the exhaust mounts provided in the fitting kit, failure to do so may cause fitting issues.
- Check you have received all the parts required prior to removing your factory exhaust including your sound option. If you are missing any parts, please do not proceed.
Contact Redback Support via sales@redbackexhausts.com.au

DURING FITMENT

- On the initial fit of your exhaust, fit all the parts loosely to ensure the exhaust is correctly aligned.
- Use exhaust silicone between gaskets (both sides) and flanges. Fit gaskets between flanges.
- Using an exhaust hanger removal tool and silicon-based lubricant is recommended.

EXHAUST MAINTENANCE AND CARE

- It is recommended that you regularly clean your exhaust to extend its life span.
- We also recommended touching up your Redback Exhaust to maintain the improved aesthetic with heat proof extreme duty paint.

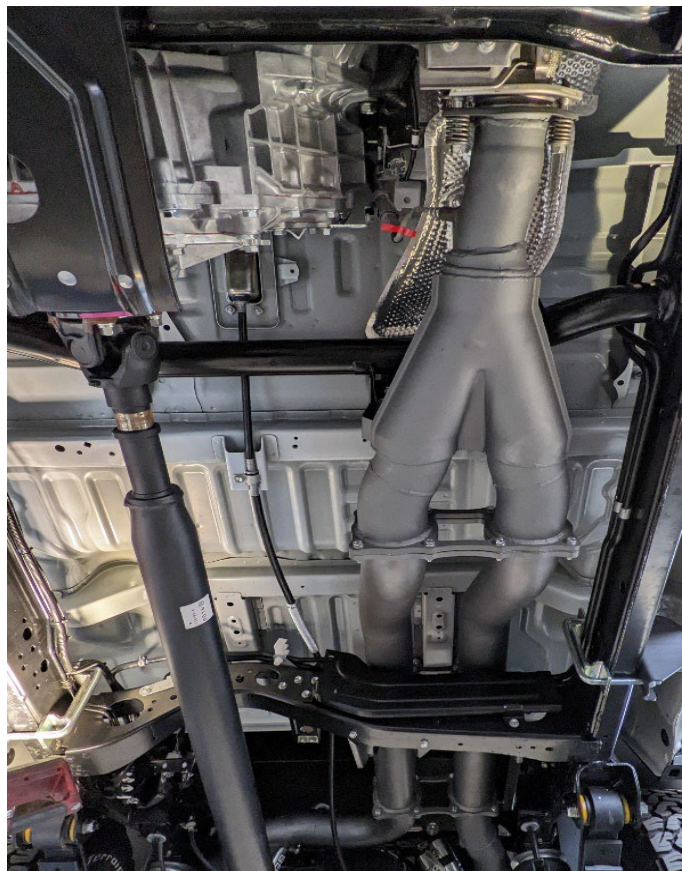
Ensure that the fitting instructions are read and understood prior to fitment.

FITTING INSTRUCTIONS

STEP-BY-STEP INSTRUCTIONS

1. Remove and retain the O2 Sensor from the standard exhaust.
2. Remove rear tail pipe and muffler assembly.
3. Remove intermediate pipe from vehicle and retain the 10mm bolts and springs.
4. Fit the replacement rubber exhaust hangers, Fit the Right-hand side tail pipe support bracket to the Towbar Mount holes. Fit bump stop spacers(Using spacers if the vehicle doesn't have a towbar).
5. Fit the first intermediate Y pipe to the DPF (Diesel Particulate Filter) with the retained M10 Bolts and springs (REF Image A)
6. Remove the large grey connector from its standard mounting position located forward of the fuel tank on the driver's side and secure it to the wiring loom above using cable ties. (Ref Image B)

(Image A: Engine Pipe)



FITTING INSTRUCTIONS

7. Install the previously removed O2 sensor. (REF Image A)
8. Fit the exhaust temperature sensor plugs to the first intermediate Y pipe.
9. Fit second intermediate pipe to the first intermediate Y pipe with Eight M8x1.25x35mm bolts and M8 flat washers. Tighten M8x1.25 nuts finger tight.
10. Fit Muffler option to second intermediate pipes using only the top Four flange bolt holes and M8x1.25x35mm bolts with M8 flat washers. Tighten M8x1.25 nuts finger tight.
11. Fit the supplied bracket mount to lower muffler option flange bolt holes using Four M8x1.25x40mm bolts and M8 flat washers. Tighten M8x1.25 nuts finger tight. Fit Rubber Isolator to bracket and mount to vehicle. (REF Image C)

(Image B: Loom)



FITTING INSTRUCTIONS

12. Fit Rear Intermediate Pipe to vehicle with four M8x1.25x35mm bolts and M8 flat washers. Tighten M8x1.25 nuts finger tight.
13. Fit Drivers Rear Intermediate Pipe to vehicle with four M8x1.25x35mm bolts and M8 flat washers. Tighten M8x1.25 nuts finger tight.
14. Fit Rear Tail Pipes to Rear Intermediate Pipe with Eight M8x1.25x35mm bolts and M8 flat washers. Tighten M8x1.25 nuts finger tight.
15. Adjust tail pipes for clearance of suspension and toolboxes. (REF Image D)

(Image C: Bracket)



16. Tighten all bolts and nuts from front to back of vehicle and test for leaks

FITTING INSTRUCTIONS

(Image D: Tail Pipes)



FITTING INSTRUCTIONS

REDBACK 4X4 EXTENDED WARRANTY

Redback 4x4 offers our customers peace of mind with the assurance of our commitment to providing superior quality products backed up by exceptional customer service.

Each Redback 4x4 Exhausts product carries a 5-year warranty. An extended 10-year warranty is available for all Redback Extreme Duty Exhaust purchases made online via the redback4x4.com.au website or from an Authorised Redback 4x4 Dealer.

You are also eligible for an extended 10-year warranty if you register your Redback Extreme Duty Exhaust purchase using our online Warranty Registration Form below.

In the unlikely event you experience an issue with one of our products, please call us on 1300 351 730 or email sales@redbackexhausts.com.au.

We will need photos of the part to help us understand and resolve the issue.

Photos can be emailed to sales@redbackexhausts.com.au . Please include a photo of your original purchase invoice to validate the date of your purchase.